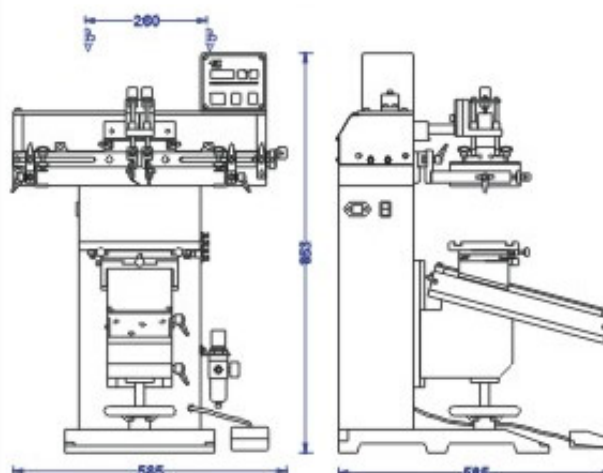


## SFT260

### Plantryck screentrycksmaskin.



1. This series of screen printers are able to make a printing on the flat or curved surface (i.e cylinder or pyramidal), which can be widely used for industries of plastic goods, stationery, toys, electrical appliances, ceramic goods, glass, circuit boards, leathers, papers, wooden goods and cosmetics, etc.
2. This series of screen printers are equipped with advanced microcomputer controls. With multi major function program presetting, the machines are multi functional.
3. Once a functional program is selected, it will be stored in the memory forever. It is not necessary to re-preset the functional programs in the event of power failure, and no back-up batteries are needed.
4. Various screen printing functions can be selected directly by pressing the sensitive feather-touch buttons on the console panel. it is very simple to operate.
5. The up-to-date and durable pneumatic components are manufactured by famous West German and Japanese factories. They all operate smoothly and powerfully.
6. The aluminium alloy machine case is light and durable, its structure is precise and causes higher efficiency.
7. Having a prevalent performance, it is equipped with special vibration absorber and speed-adjustable blades.
8. The precise hard axle reduces the friction caused by the movement of machine when printing has good resistance.

För ytterligare information kontakta KE LEVIN

Teknisk specifikation – SCF260	
Max tryckyta	260 x 130 mm
Max objekthöjd	160 mm
Max ramstorlek	480 x 250 x 26 mm
Tryckkapacitet	1100 cykler / tim
Lufttryck	4 bar (0.4MPa)
Effekt	110 / 220V 40W
Storlek	585 x 585 x 853 mm

**KONTAKTA OSS - RING 0155 / 577 00**